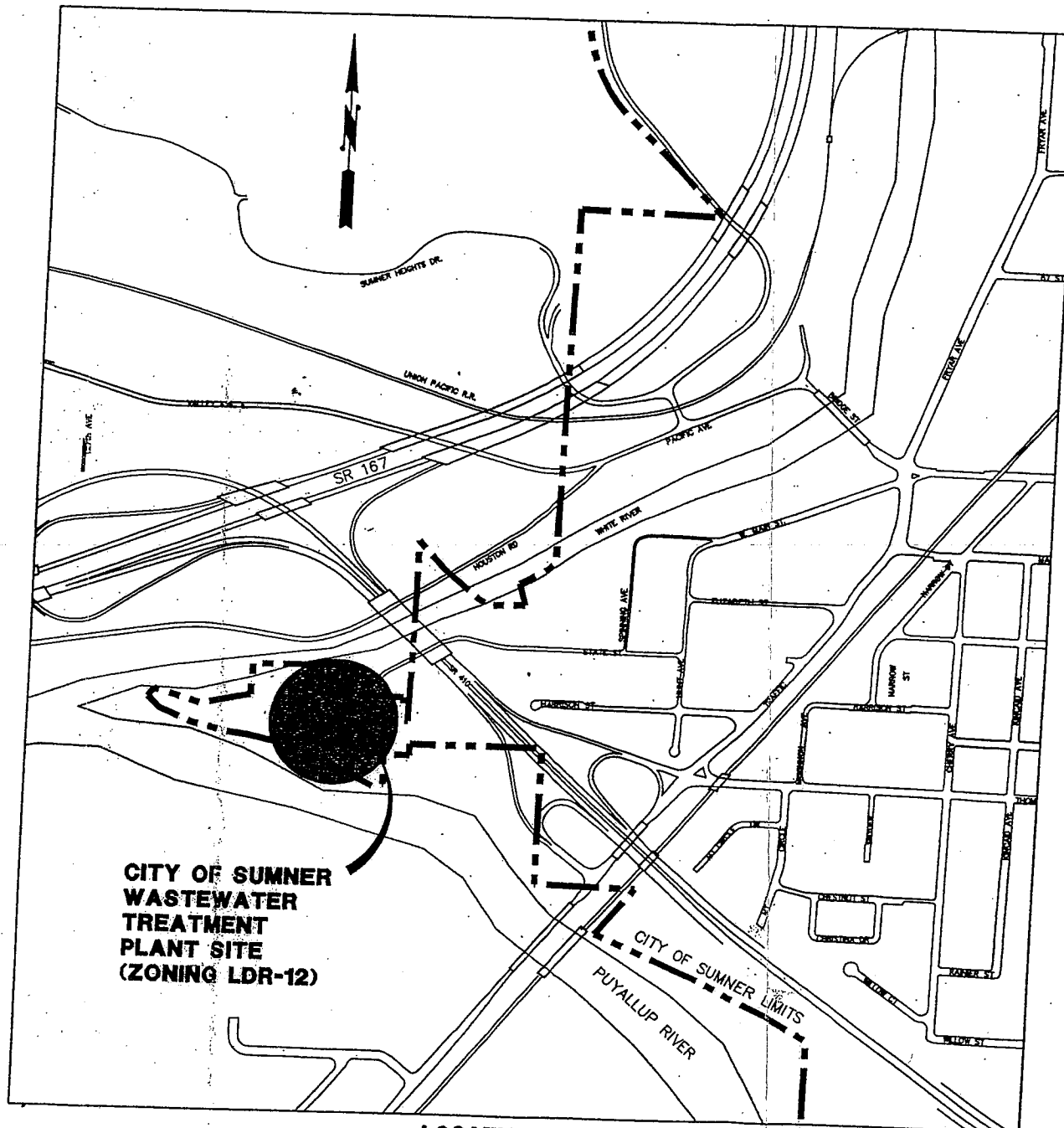


VICINITY MAP
NOT TO SCALE



**CITY OF SUMNER
WASTEWATER
TREATMENT
PLANT SITE
(ZONING LDR-12)**

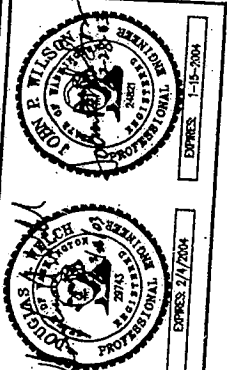
LOCATION MAP
SCALE 1"=400'



Gray & Osborn
CONSULTING ENGINEERS
701 DEXTER AVENUE NORTH
SEATTLE, WASHINGTON 98109 • (206) 467-2841

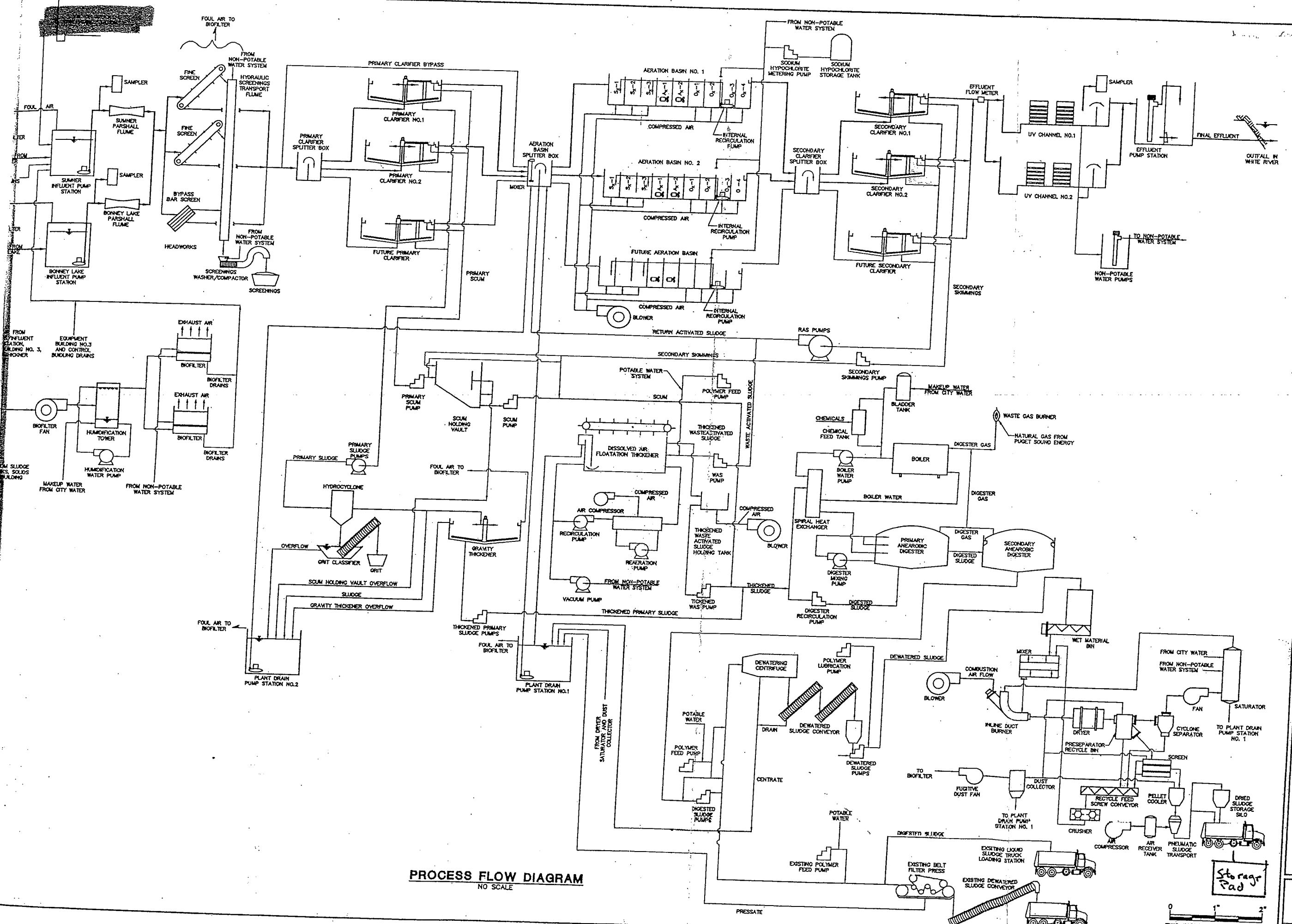
DATE: FEB. 2003
SCALE: NOTED
DRAWN: R.L.M.
CHECKED: D.A.W.
APPROVED: J.P.W.

No.	REVISION	DATE	APPD



CITY OF SUMNER
PIERCE COUNTY WASHINGTON
**WASTEWATER TREATMENT PLANT
UPGRADE**
VICINITY AND LOCATION MAPS

SHEET: **G-1**
OF: **36**
JOB NO.: 01899
DWG: G-VIC-LOC



PROCESS FLOW DIAGRAM
NO SCALE

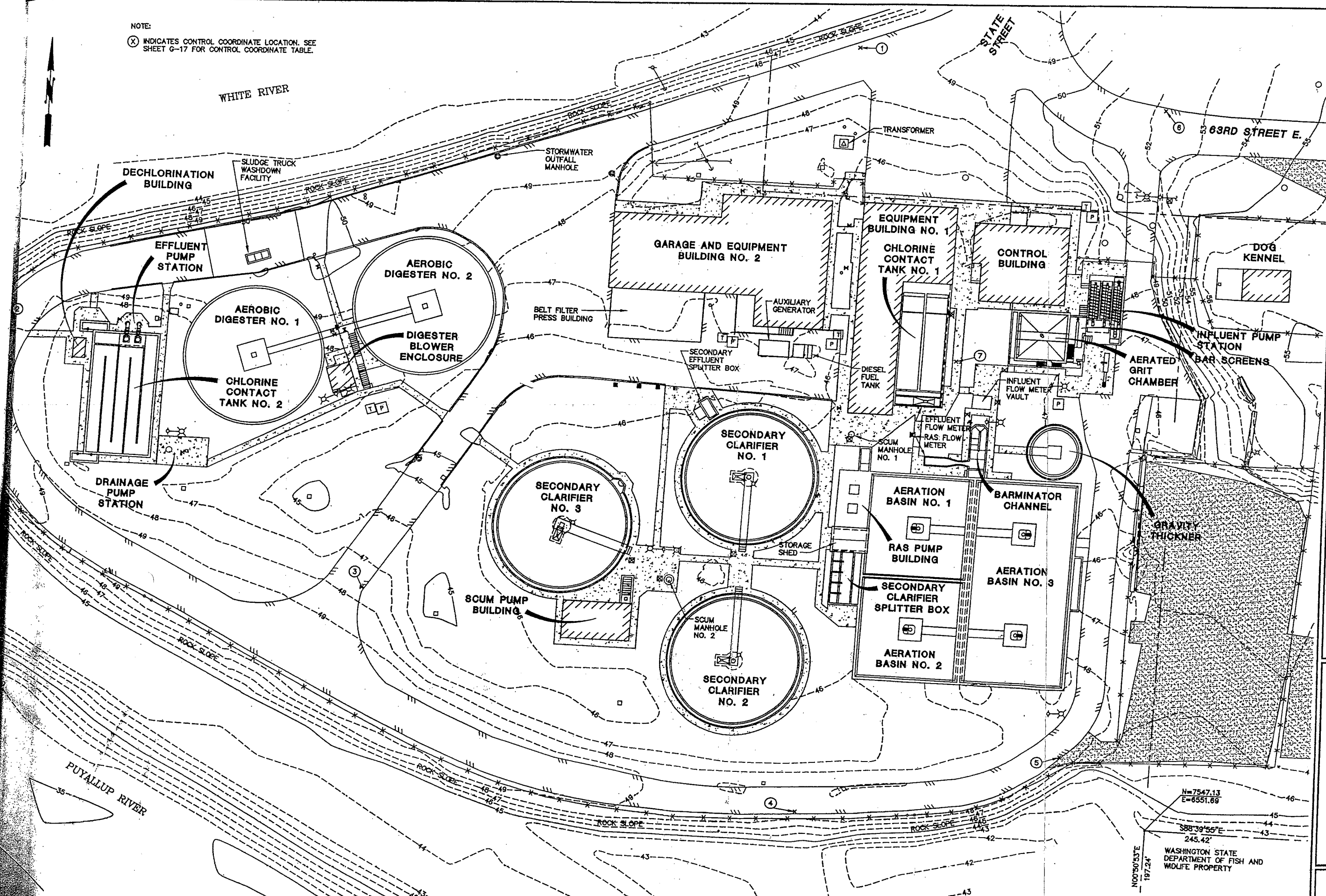
DATE: FEB. 2003
SCALE: NOTED
DRAWN BY: J. J. J.



CITY OF SUMNER
PIERCE COUNTY
WASTEWATER TREATMENT PLANT UPGRADE

SHEET: G-4
OF: 36
JOB NO.: 01699

NOTE:
 (X) INDICATES CONTROL COORDINATE LOCATION. SEE SHEET G-17 FOR CONTROL COORDINATE TABLE.



EXISTING SITE PLAN
 SCALE: 1"=20'

N=7547.13
 E=6551.69
 388°39'55"E
 245.42'
 197.24'
 WASHINGTON STATE
 DEPARTMENT OF FISH AND
 WILDLIFE PROPERTY

0 1" 2"
 TWO INCHES AT FULL SCALE.
 IF NOT, SCALE ACCORDINGLY

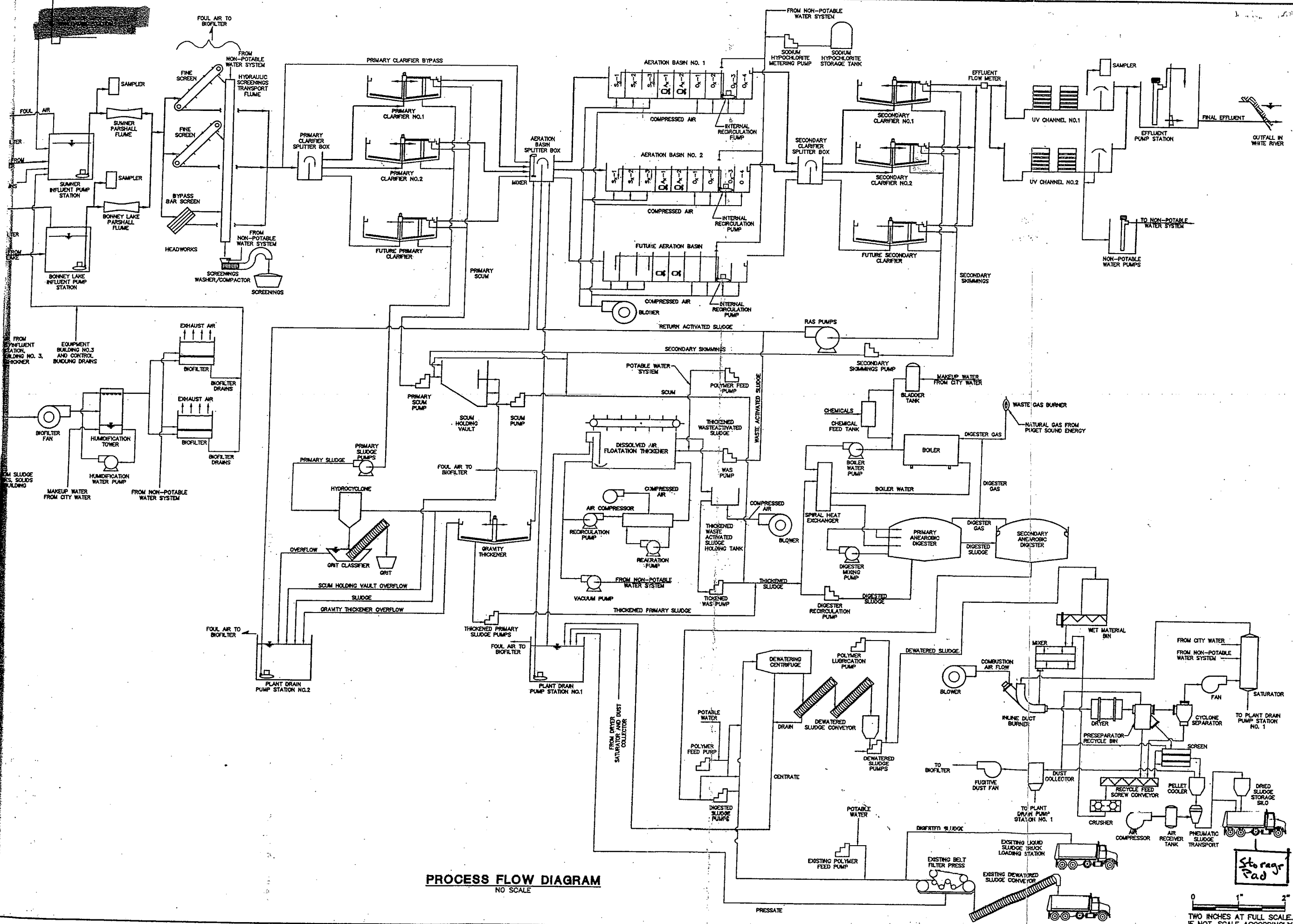
Gray & Osborne, Inc.
 CONSULTING ENGINEERS

DATE: FEB. 2003
 SCALE: NOTED
 DRAWN: R.L.M.
 CHECKED: D.A.W.



CITY OF SUMNER
 WASHINGTON
**WASTEWATER TREATMENT PLANT
 UPGRADE**
 EXISTING SITE PLAN AND CONTOURS

SHEET: **G-7**
 OF: **36**
 JOB NO.: 01699
 DWG: G-EXIST-SITE



PROCESS FLOW DIAGRAM
 NO SCALE

TWO INCHES AT FULL SCALE.
 IF NOT, SCALE ACCORDINGLY